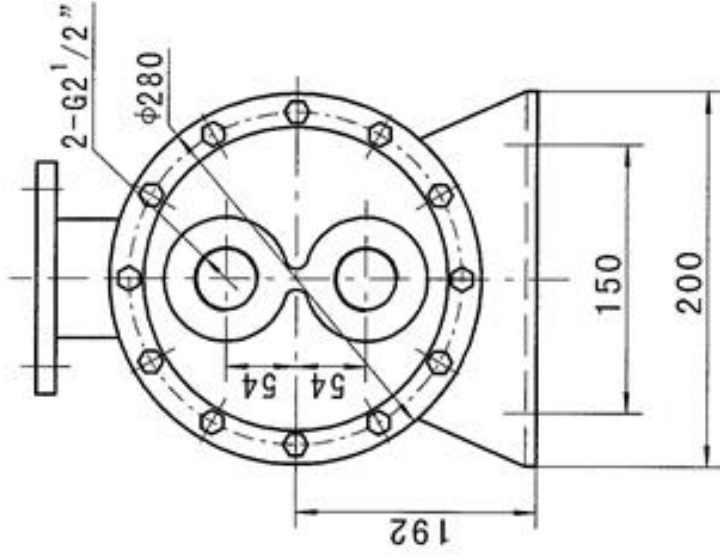
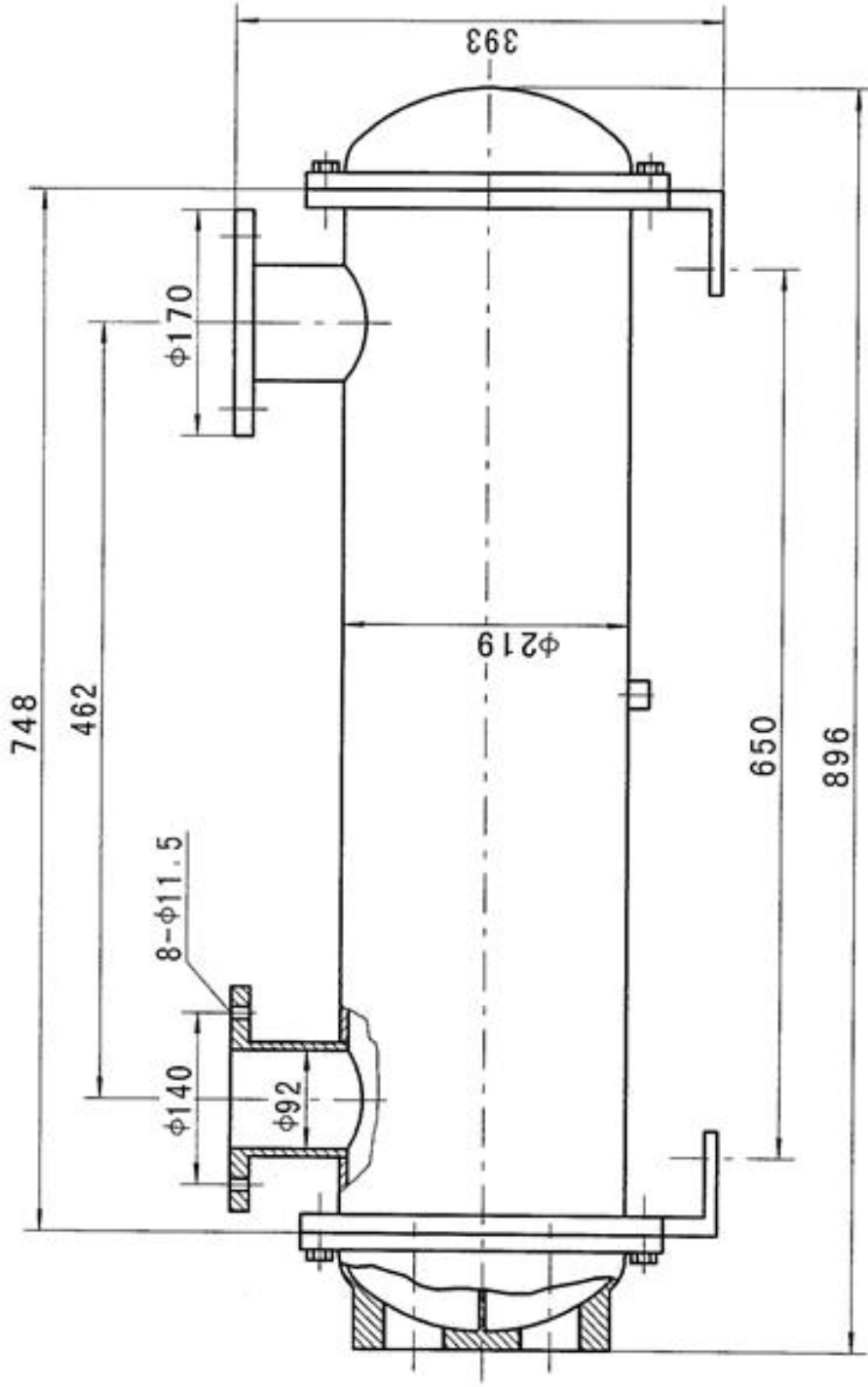
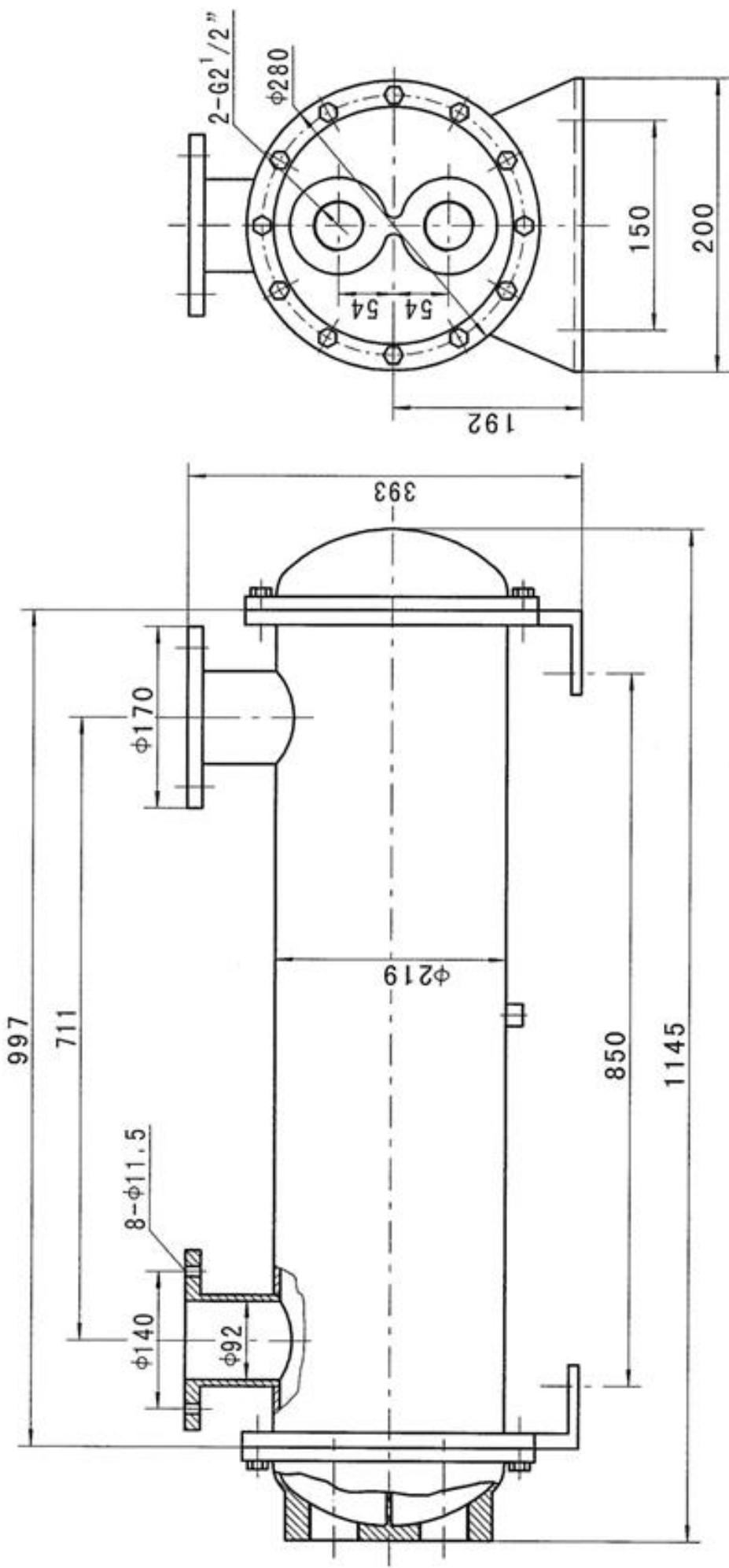


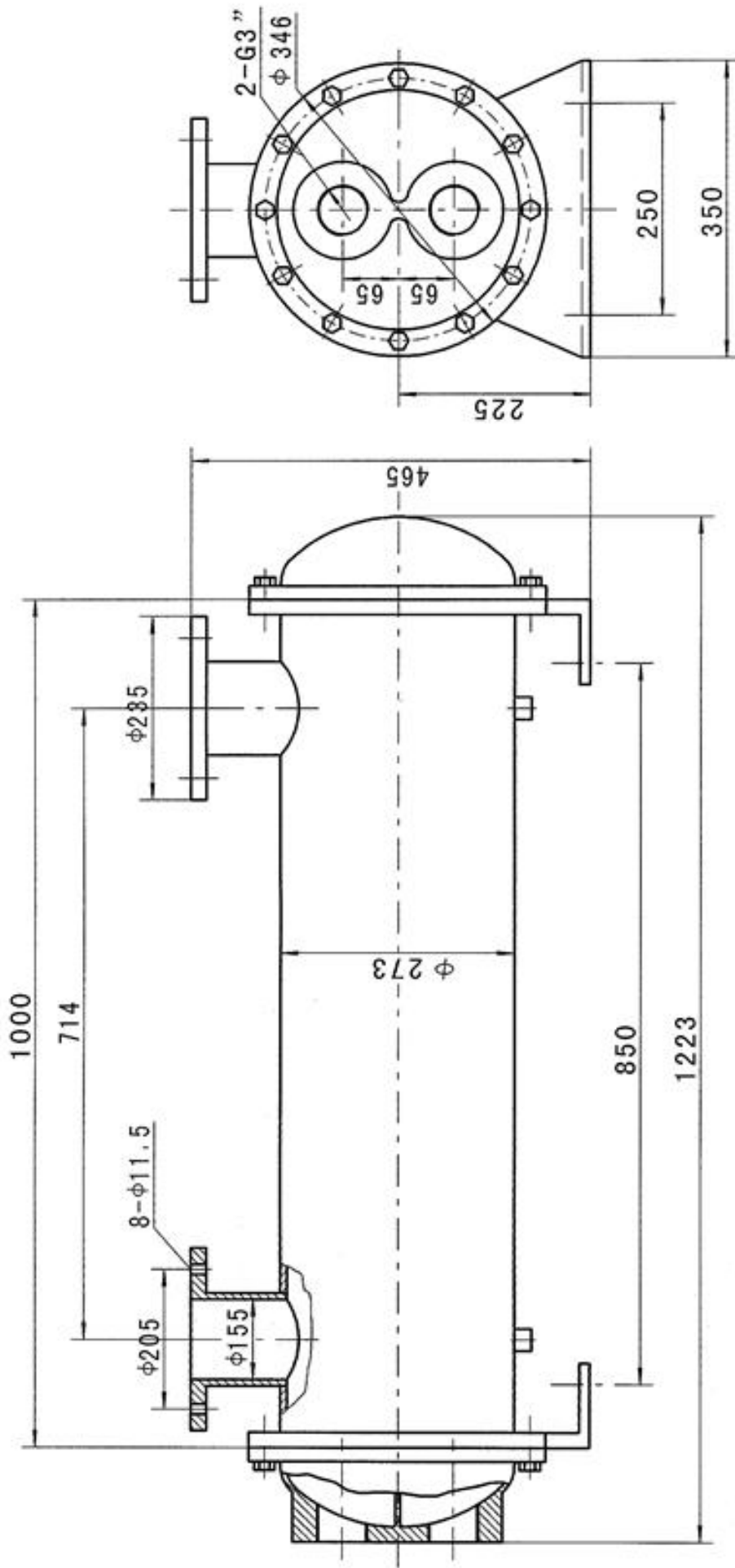
K800	75KGS
450-600BHP	COOLING SURFACE 3.44 m ²



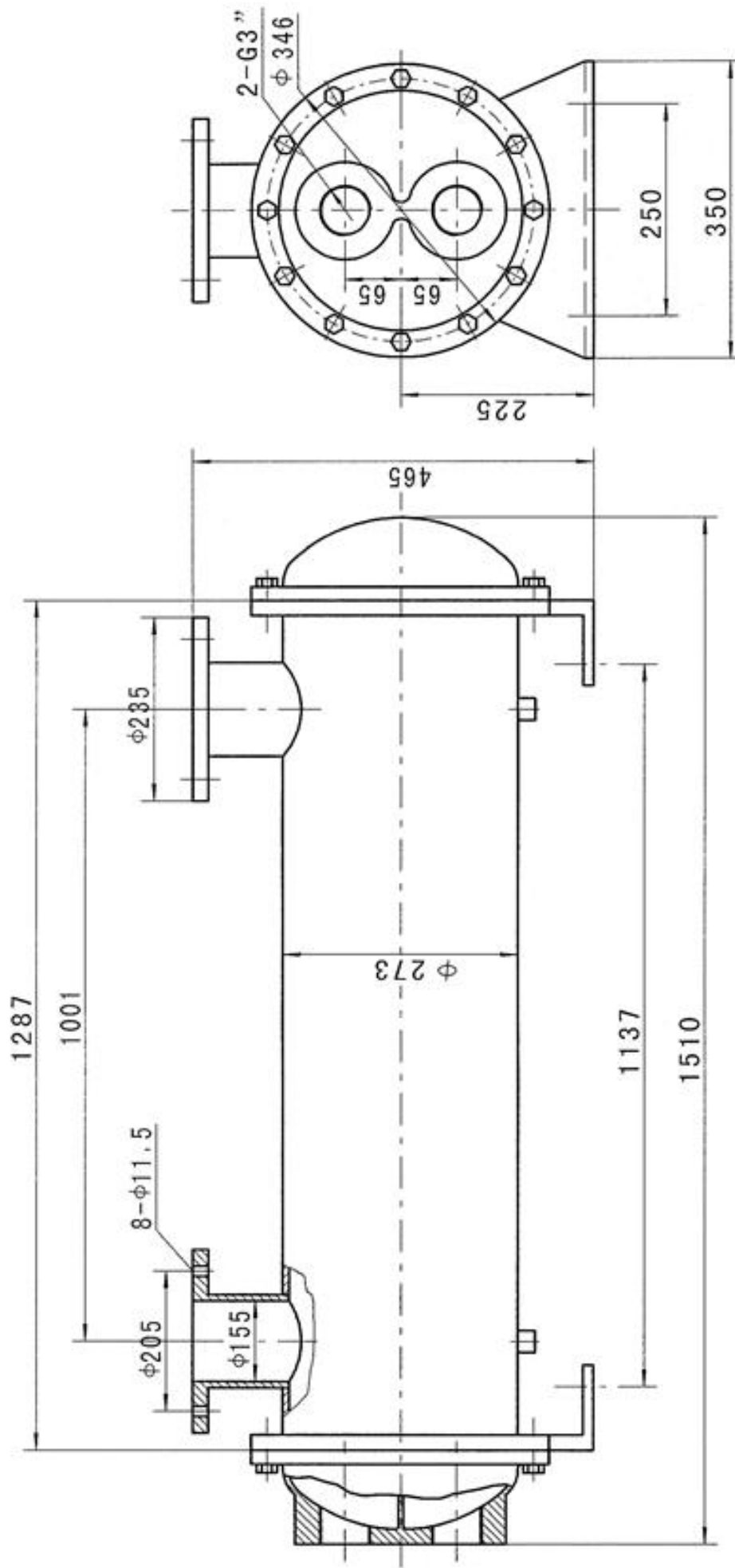
K1000	85KGS
600-800BHP	COOLING SURFACE 4,23 m ²



K1300	97KGS
800-1000BHP	COOLING SURFACE 5.8 m ²



K1600	140KGS
1200-1600BHP	COOLING SURFACE 9.82 m ²



K1800	164KGS
1600-1800BHP	COOLING SURFACE 12.65 m ²